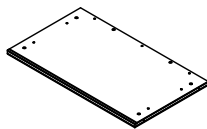


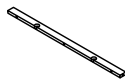
PART LIST / LISTE DES PIÈCES / LISTA DE PIEZAS

ITEM NO. / ARTICLE NO. / ARTICULO NO : J006-040-005/006

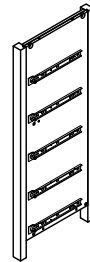
DESCRIPTION / DESCRIPCIÓN : 5 DRAWER CHEST / COMMODE À TIROIRS / CÓMODA

**(A)**

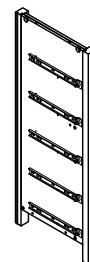
J006-040-005-PANT
J006-040-006-PANT
x1 Top Panel
x1 Panneau Supérieur
x1 Panel Superior

**(B)**

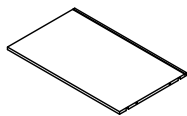
J006-040-005-STRT
J006-040-006-STRT
x1 Top Stretcher
x1 Traverse supérieur
x1 Travesaño superior

**(C)**

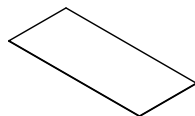
J006-040-005-FRAL
J006-040-006-FRAL
x1 Left Frame Leg
x1 Patte de gauche
x1 Pata izquierda

**(D)**

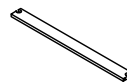
J006-040-005-FRAR
J006-040-006-FRAR
x1 Right Frame Leg
x1 Patte de droite
x1 Pata derecha

**(E)**

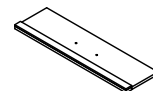
J006-040-005-PANB
J006-040-006-PANB
x1 Bottom Panel
x1 Panneau Inférieur
x1 Panel Inferior

**(F)**

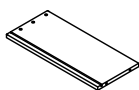
J006-040-005-PABA
J006-040-006-PABA
x2 Back Panel
x2 Panneau Arrière
x2 Panel Posterior

**(G)**

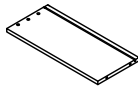
J006-040-005-STRC
J006-040-006-STRC
x1 Center Stretcher
x1 Traverse centrale
x1 Travesaño central

**(H)**

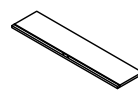
J006-040-005-PANF
J006-040-006-PANF
x5 Drawer Front Panel
x5 Panneau Avant du Tiroir
x5 Panel Frontal del Cajón

**(I)**

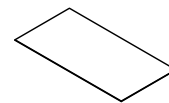
J006-040-005-PANR
J006-040-006-PANR
x5 Right Drawer Panel
x5 Droite Façade de tiroir
x5 Derecha Frente de cajón

**(J)**

J006-040-005-PANL
J006-040-006-PANL
x5 Left Drawer Panel
x5 Gauche Façade de tiroir
x5 Izquierda Frente de cajón

**(K)**

J006-040-005-PADB
J006-040-006-PADB
x5 Drawer Back Panel
x5 Panneau de Tiroir Arrière
x5 Panel de Cajón Trasero

**(L)**

J006-040-005-PANO
J006-040-006-PANO
x5 Drawer Bottom Panel
x5 Panneau de Tiroir Inférieur
x5 Panel de Cajón Inferior

PART LIST / LISTE DES PIÈCES / LISTA DE PIEZAS

ITEM NO. / ARTICLE NO. / ARTICULO NO : J006-040-005/006

DESCRIPTION / DESCRIPCIÓN : 5 DRAWER CHEST / COMMODE À TIROIRS / CÓMODA

**(M)**

J006-040-005-SUPP
J006-040-006-SUPP
x5 Drawer Support Panel
x5 Panneau de Support de tiroir
x5 Panel de Soporte del Cajón

**(N)**

J006-010-005-DOWL
J006-010-006-DOWL
x15 M8x30 Wood Dowels
x15 M8x30 Goujon en bois
x15 M8x30 Tarugo de madera

**(O)**

J006-010-005-DOWS
J006-010-006-DOWS
x60 M6x30 Wood Dowels
x60 M6x30 Goujon en bois
x60 M6x30 Tarugo de madera

**(P)**

J006-040-005-PULL
J006-040-006-PULL
x5 Pull with Screw
x5 Tirer Avec Vis
x5 Tirar Con Tornillo

**(Q)**

J006-040-005-HWKI
J006-040-006-HWKI
x10 Hardware kit list
x10 Liste des pièces de quincaillerie
x10 Lista del kit de materiales

**(R)**

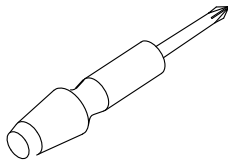
J006-040-005-HWKI
J006-040-006-HWKI
x2 Hardware kit list
x2 Liste des pièces de quincaillerie
x2 Lista del kit de materiales

**(S)**

J006-040-005-HWKI
J006-040-006-HWKI
x8 Hardware kit list
x8 Liste des pièces de quincaillerie
x8 Lista del kit de materiales

**(T)**

RC-ANTI-TIP
x1 Anti-tipping Hardware Kit List
x1 Liste des pièces de quincaillerie antibasculement
x1 Lista del kit de materiales antivuelco

**(U)**

x1 Philips Head Screwdriver
(Not Provided)
x1 Tournevis Philips
(Outils non fournis)
x1 Destornillador de Estrella
(No estan Incluidas las Herramientas)

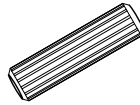
ASSEMBLY INSTRUCTIONS / NOTICE DE MONTAGE / INSTRUCCIONES DE MONTAJE

ITEM NO. / ARTICLE NO. / ARTICULO NO : J006-040-005/006

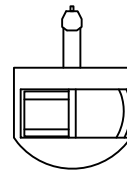
DESCRIPTION / DESCRIPCIÓN : 5 DRAWER CHEST / COMMODO À TIROIRS / CÓMODA

STEP 1

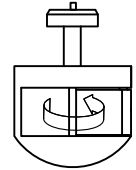
(N)
[M8 x 30] [x 4]



CAUTION

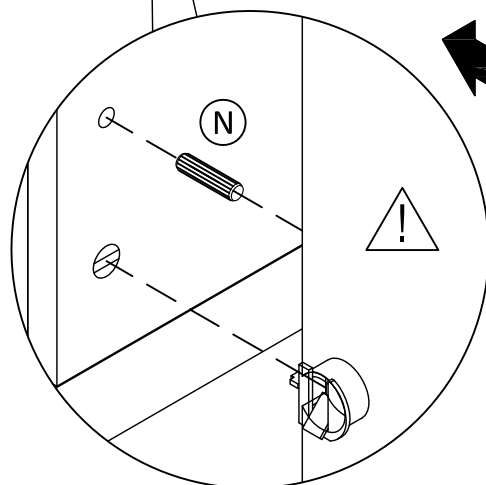
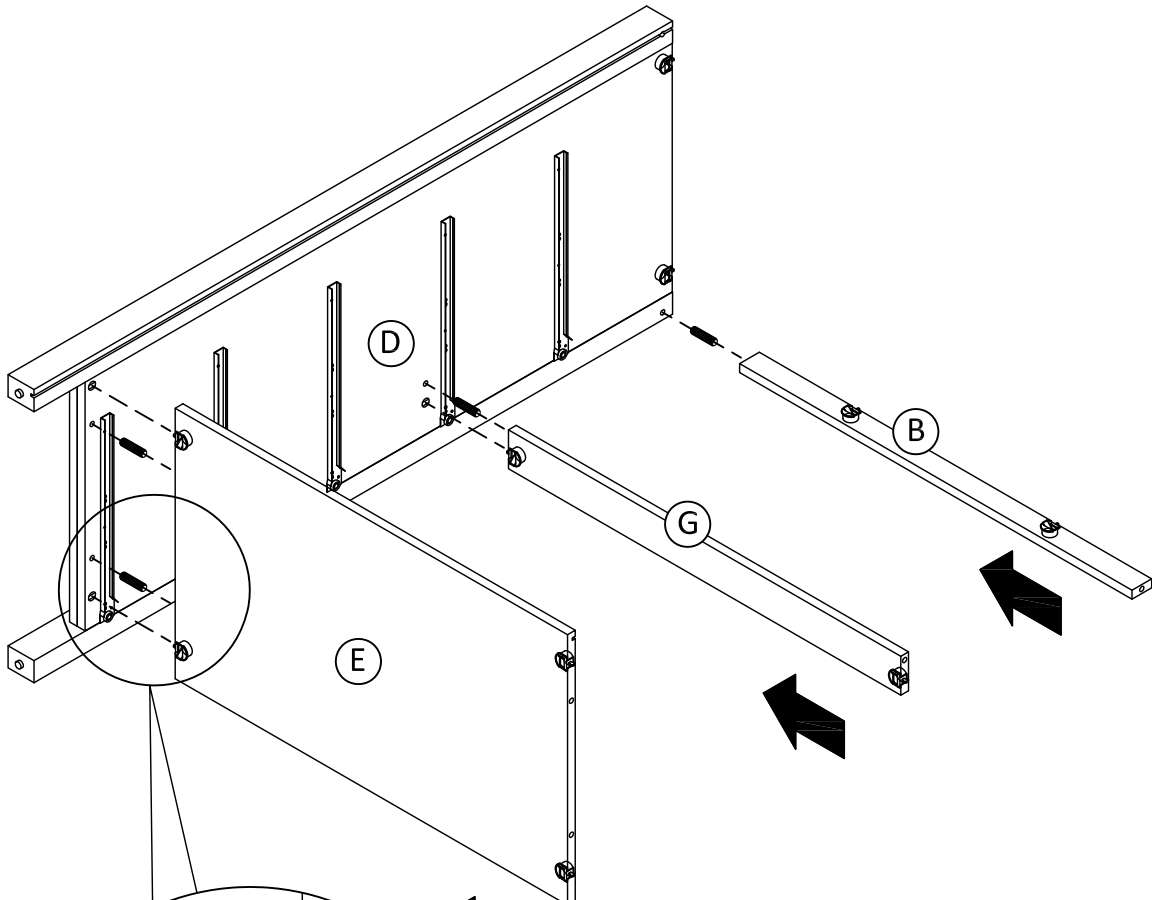


OPEN



LOCK

PLEASE ENSURE THUMBLOCK IN OPEN POSITION BEFORE ASSEMBLY



PEEL OFF THE PROTECTION TAPE TO LOCK THE MECHANISM AFTER ASSEMBLED

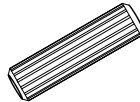
ASSEMBLY INSTRUCTIONS / NOTICE DE MONTAGE / INSTRUCCIONES DE MONTAJE

ITEM NO. / ARTICLE NO. / ARTICULO NO : J006-040-005/006

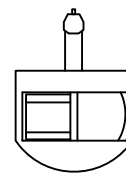
DESCRIPTION / DESCRIPCIÓN : 5 DRAWER CHEST / COMMODE À TIROIRS / CÓMODA

STEP 2

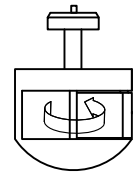
(N) [M8 x 30] [x 4]



CAUTION

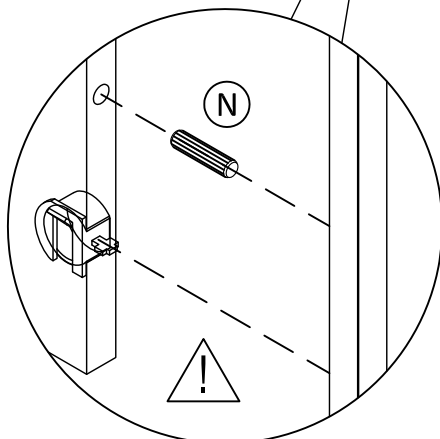
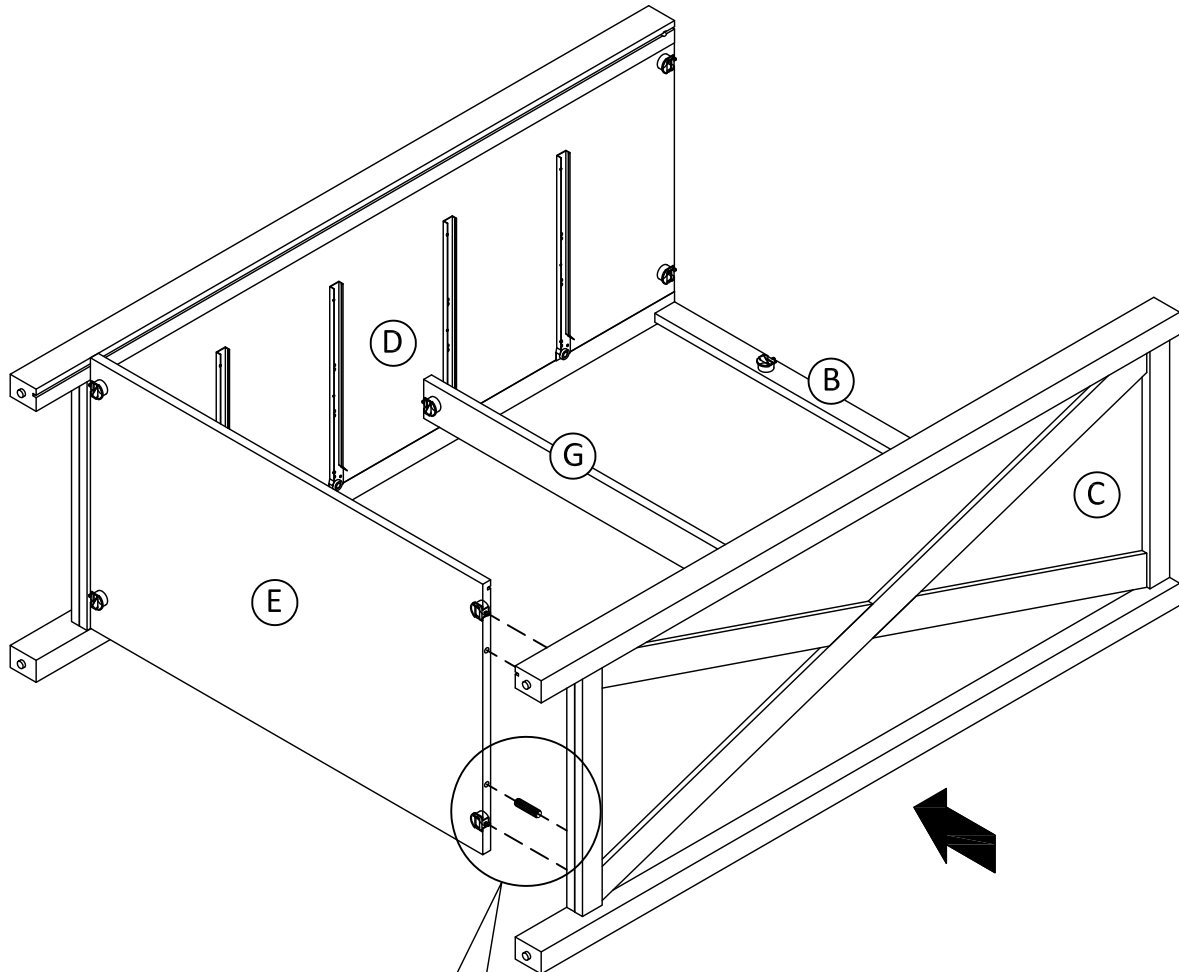


OPEN



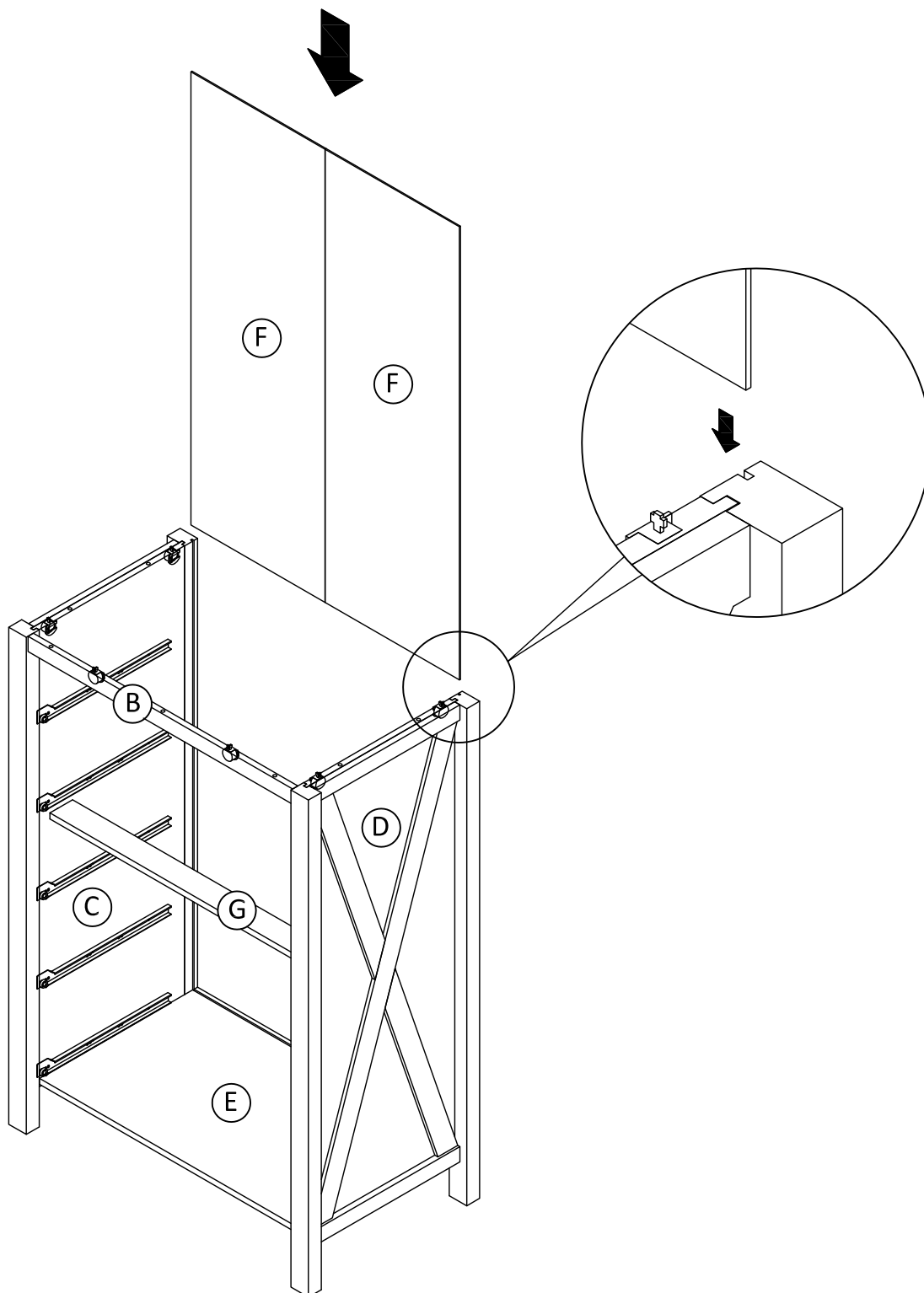
LOCK

PLEASE ENSURE THUMBLOCK IN OPEN POSITION BEFORE ASSEMBLY



PEEL OFF THE PROTECTION TAPE TO LOCK THE MECHANISM AFTER ASSEMBLED

STEP 3

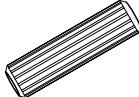


ASSEMBLY INSTRUCTIONS / NOTICE DE MONTAGE / INSTRUCCIONES DE MONTAJE

ITEM NO. / ARTICLE NO. / ARTICULO NO : J006-040-005/006

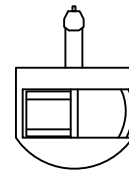
DESCRIPTION / DESCRIPCIÓN : 5 DRAWER CHEST / COMMODE À TIROIRS / CÓMODA

STEP 4

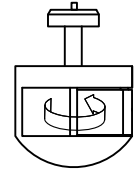
(N)
[M8 x 30]  [x 7]



CAUTION

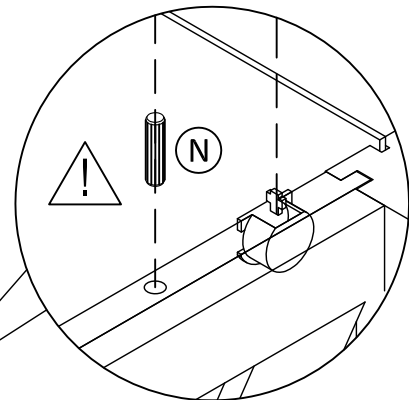
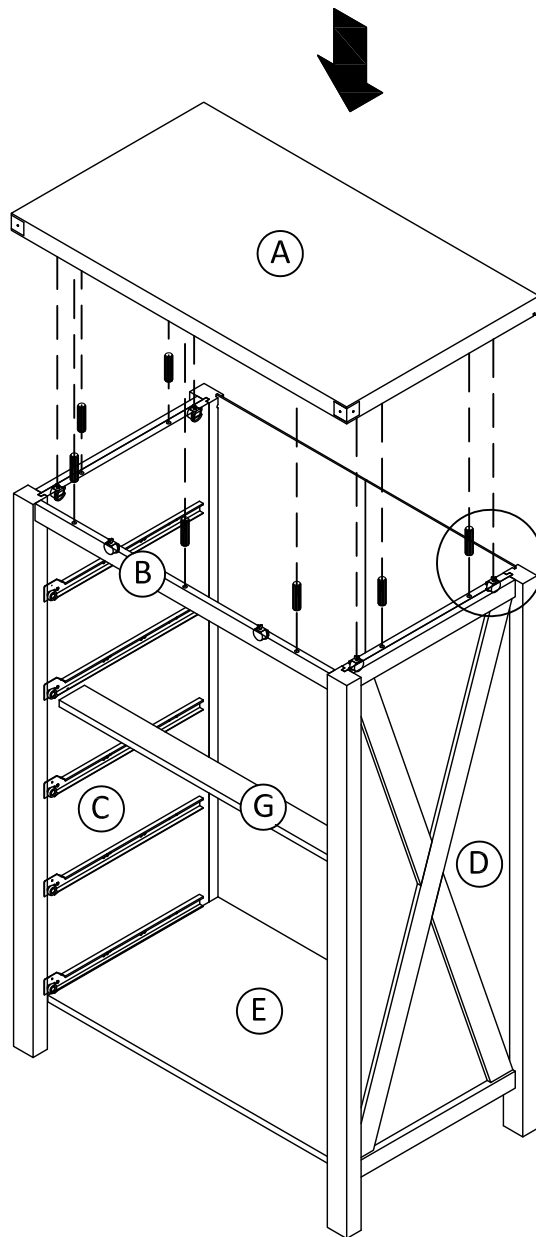


OPEN



LOCK

PLEASE ENSURE THUMBLOCK IN OPEN POSITION BEFORE ASSEMBLY



PEEL OFF THE PROTECTION TAPE TO LOCK THE MECHANISM AFTER ASSEMBLED

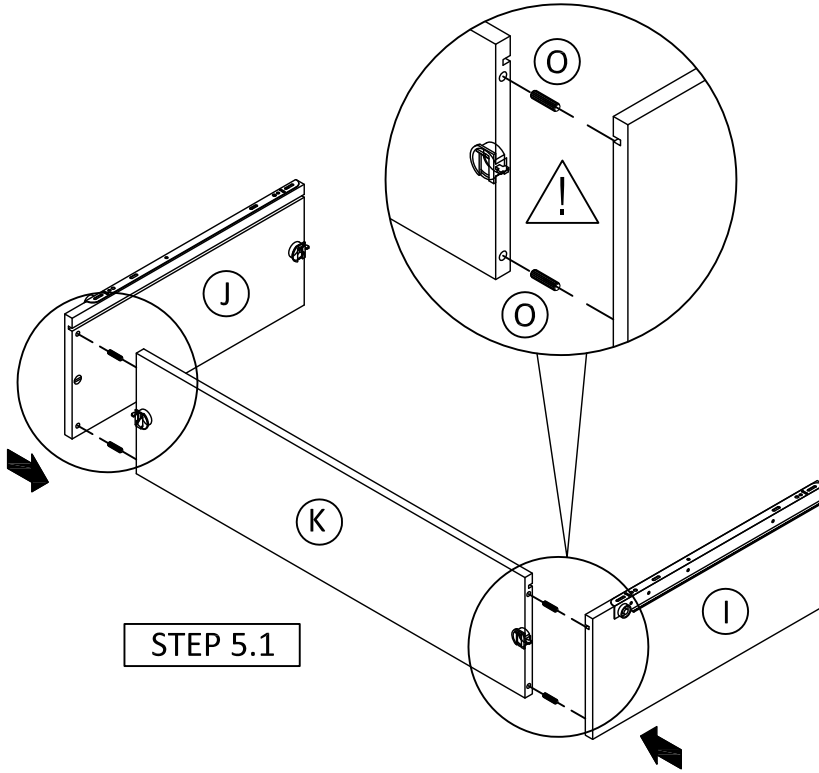
ASSEMBLY INSTRUCTIONS / NOTICE DE MONTAGE / INSTRUCCIONES DE MONTAJE

ITEM NO. / ARTICLE NO. / ARTICULO NO : J006-040-005/006

DESCRIPTION / DESCRIPCIÓN : 5 DRAWER CHEST / COMMODE À TIROIRS / CÓMODA

STEP 5

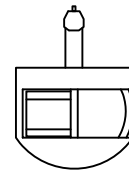
○ [M6 x 30] [x 6]



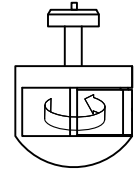
STEP 5.1



CAUTION

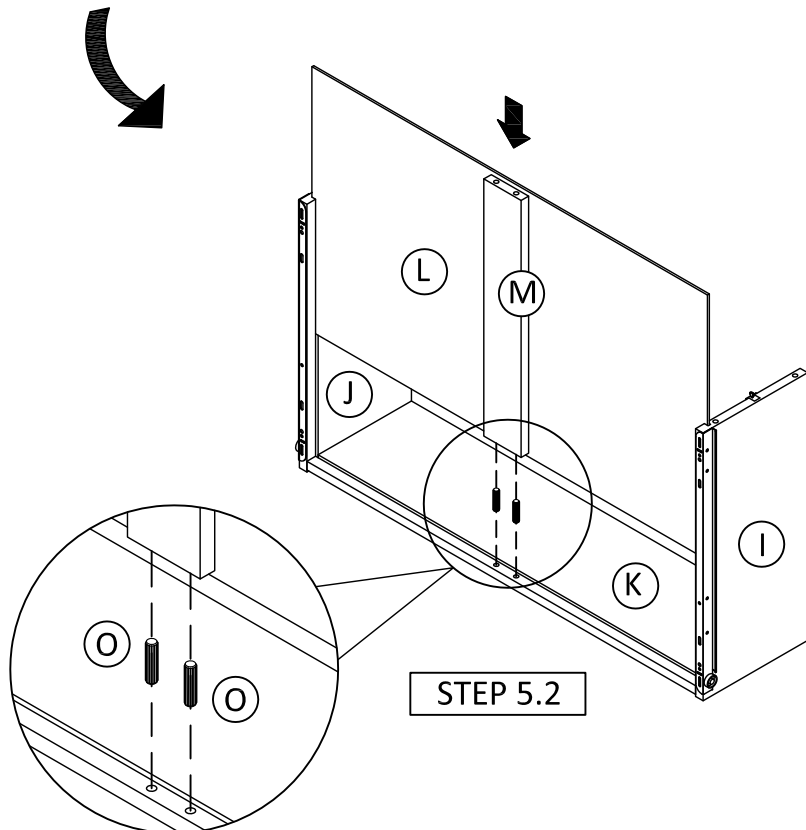


OPEN



LOCK

PLEASE ENSURE THUMBLOCK IN OPEN POSITION BEFORE ASSEMBLY



STEP 5.2

ASSEMBLY INSTRUCTIONS / NOTICE DE MONTAGE / INSTRUCCIONES DE MONTAJE

ITEM NO. / ARTICLE NO. / ARTICULO NO : J006-040-005/006

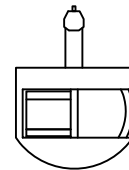
DESCRIPTION / DESCRIPCIÓN : 5 DRAWER CHEST / COMMODE À TIROIRS / CÓMODA

STEP 5

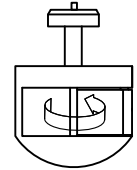
○ [M6 x 30] [x 6]



CAUTION

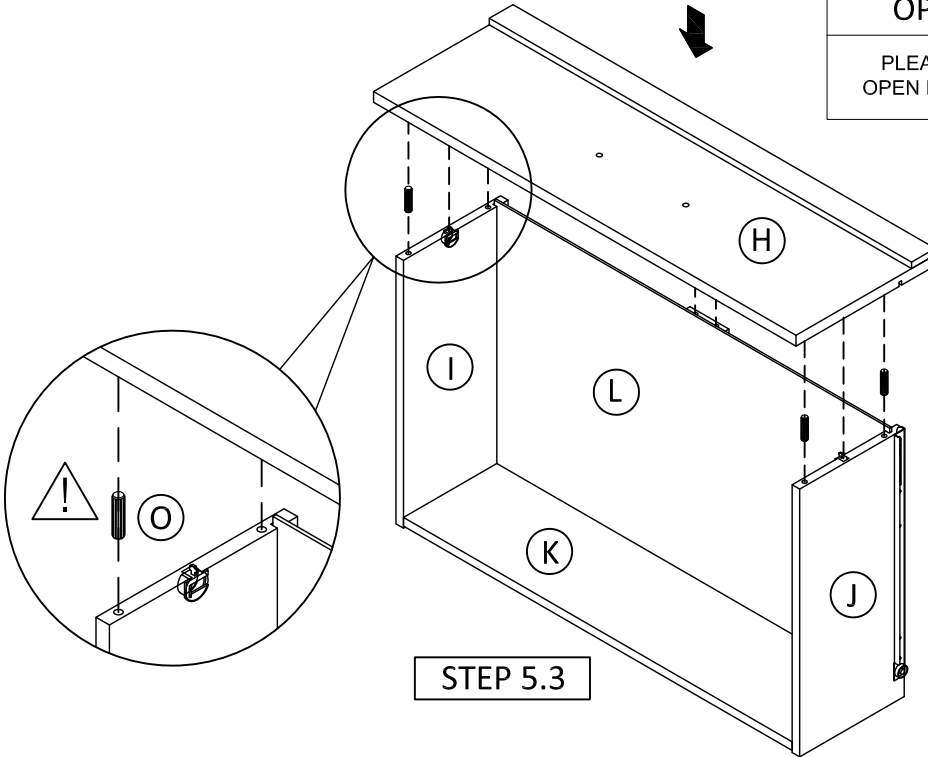


OPEN

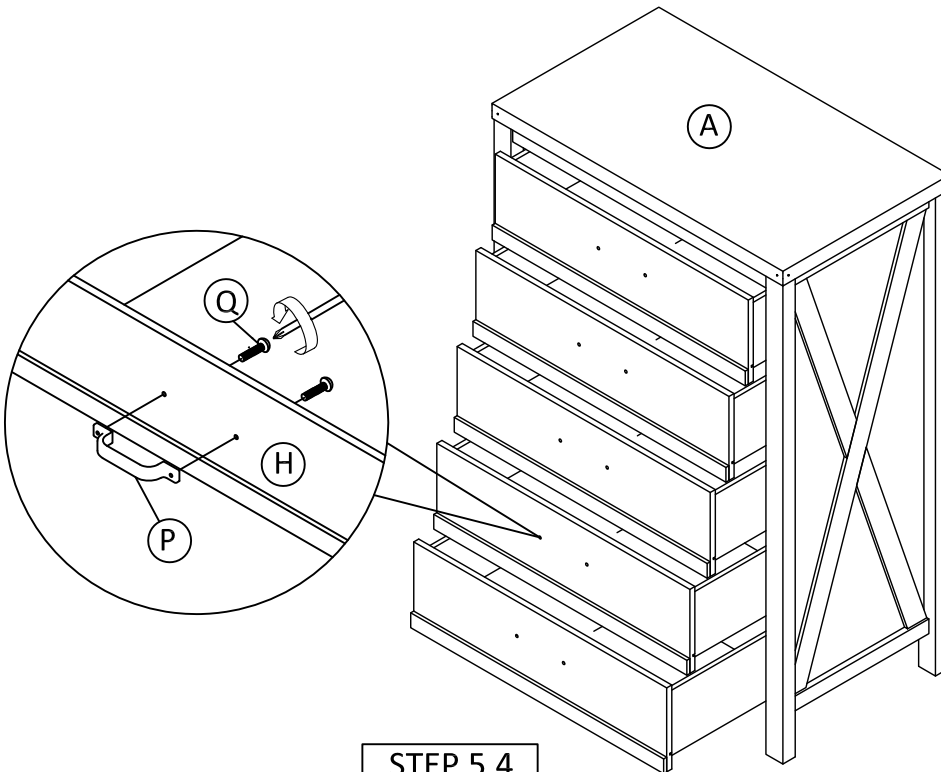


LOCK

PLEASE ENSURE THUMBLOCK IN OPEN POSITION BEFORE ASSEMBLY



STEP 5.3



STEP 5.4

ASSEMBLY INSTRUCTIONS / NOTICE DE MONTAGE / INSTRUCCIONES DE MONTAJE

ITEM NO. / ARTICLE NO. / ARTICULO NO : J006-040-005/006

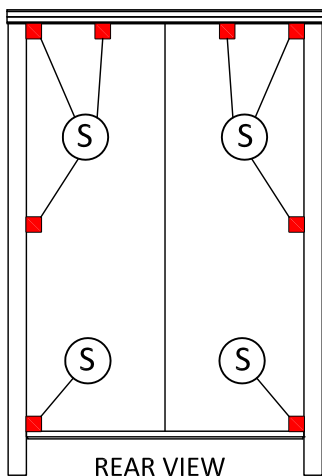
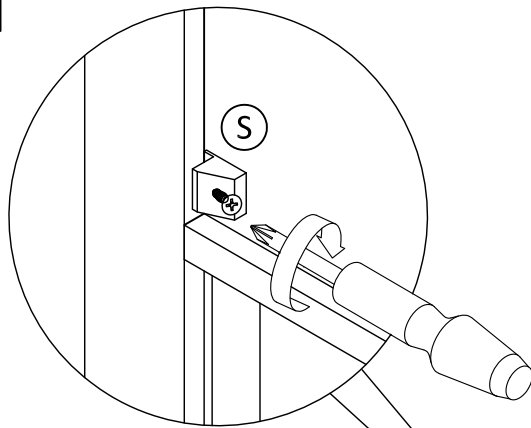
DESCRIPTION / DESCRIPCIÓN : 5 DRAWER CHEST / COMMODE À TIROIRS / CÓMODA

STEP 6

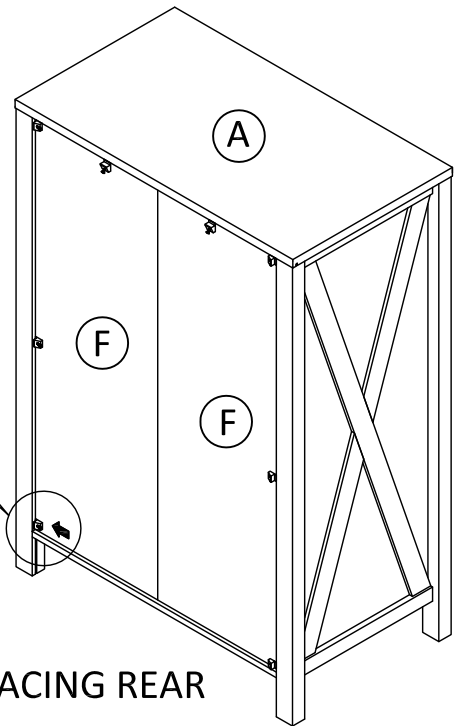
S [HARDWARE KIT]



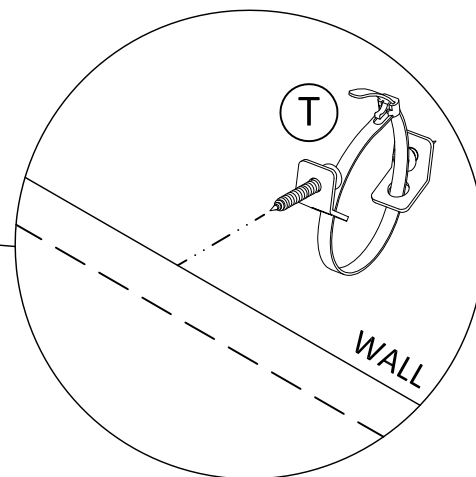
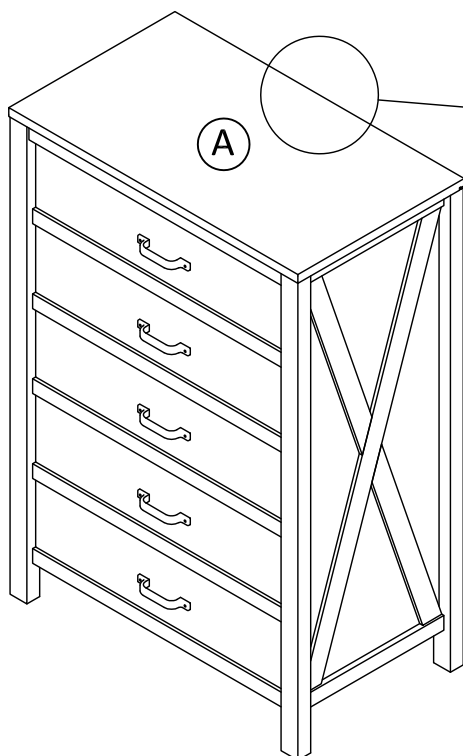
[x 8]



REAR VIEW



FACING REAR



STEP 6.2