

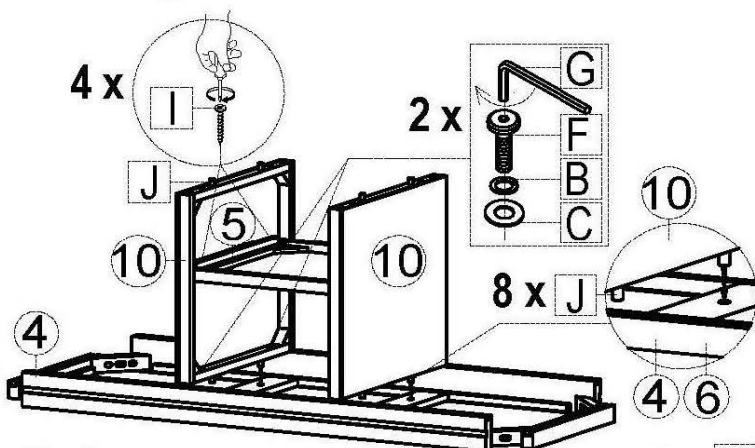
Parts key				Hardware kit #1851-78P01			
No	Code	Qty	Description	No	Description	Qty	
1	1851-78P07	4 pcs	Sliding Door	A	Hex nut M8	4 pcs	
2	1851P04	4 pcs	Pull w/Screws	B	Lock washer Ø8	28 pcs	
3	1851P07S	8 sets	Sliding Wheel & Lock w/Screws - 2 pcs	C	Flat washer Ø8 x 16mm	28 pcs	
4	1851-78P08T	1 pc	Storage Box Top Panel	D	Long bolt-Attaching Leg Extension 5/6" x 180mm	8 pcs	
5	1851-78P08	1 pc	Storage Box Shelf	E	Medium bolt Attaching Leg M6 x 60mm	8 pcs	
6	1851-78P08B	1 pc	Storage Box Bottom Panel	F	Short bolt Attaching Top/Bottom Panel M6 x 30mm	8 pcs	
7	1851-78P02L	2 pcs	Left Facing Leg	G	Allen key K4	1 pc	
8	1851-78P02R	2 pcs	Right Facing Leg	H	Key wrench 13	1 pc	
				I	Wooden Screw Ø4 x 25mm	4 pcs	
				J	Wooden Dowel Ø10 x 20mm	8 pcs	
9	1851-78P08S	2 pcs	Storage Box Side Panel	Step 2			
10	1851-78P08V	2 pcs	Storage Box Vertical Panel	Attach the bottom of the Storage Box to the Vertical Partitions using a Short Bolt (F), a Lock Washer (B) and a Flat Washer (C).			
11	1851-78P13	2 sets	Extension Mechanism	Slide the Side Panels into the grooves on the Top and Bottom Panels as show in the diagram.			
12	1851-78P13L	4 sets	Extension Lock				
13	1851P01F	4 pcs	Floor Glide				

Step 1

Lay the top of the Storage Box upside down on a clean padded surface to prevent scratching. Insert the Wood Dowels (J) into the Vertical Panel ends.

Attach the two Storage Box Vertical Panels to the top shelf using a Short Bolt (F), a Lock Washer (B) and a Flat Washer (C) using the Allen key provided.

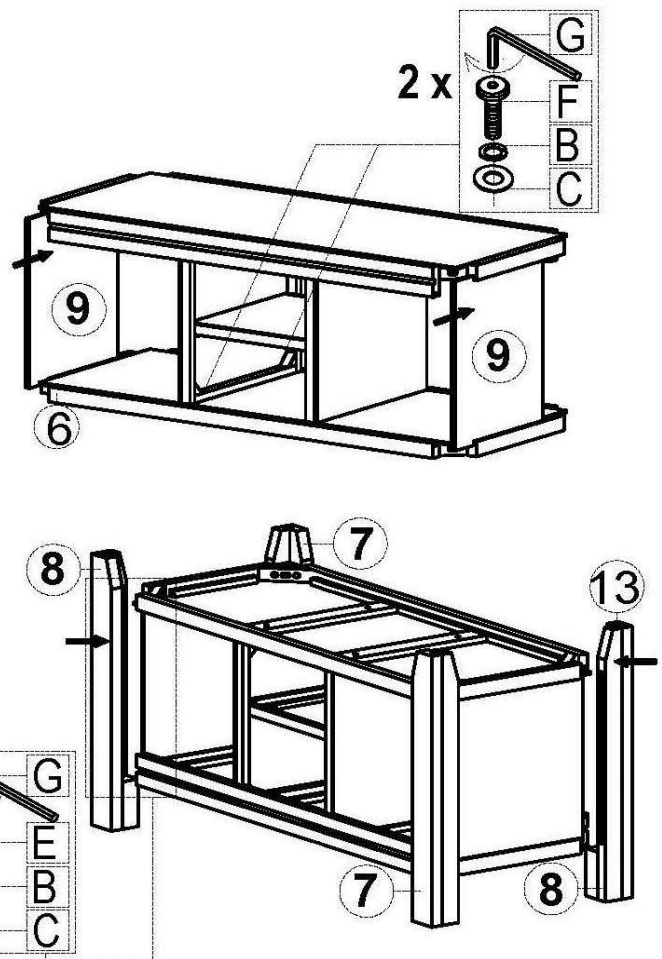
Attach the Middle Shelf to the Vertical Panels using the four Wood Screws (I).



Step 3

Carefully lay the Shelf Unit on the side and attach a Right Side Leg and a Left Side Leg to the top corners using a Bolt (E), a Lock Washer (B) and a flat Washer (C). Diagram 4 Note that the groove in the leg will be on the inside of the unit.

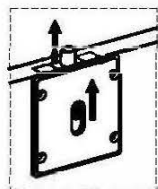
Repeat for the other side. Make sure all bolts are securely tightened.



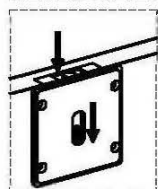
Step 4

Place the Table Base upright and position the doors in place. Note that the rollers go into the base track and the guide pins lock into the top track.

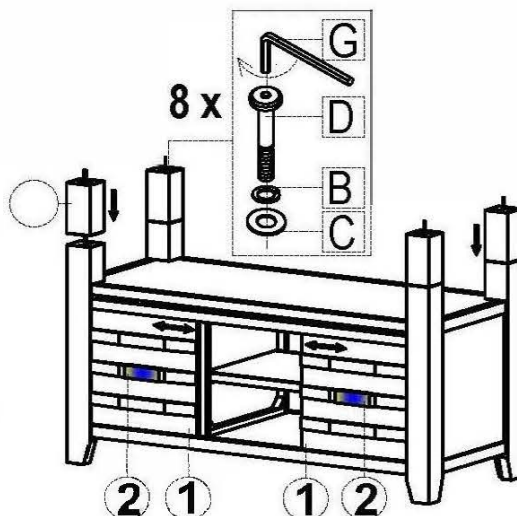
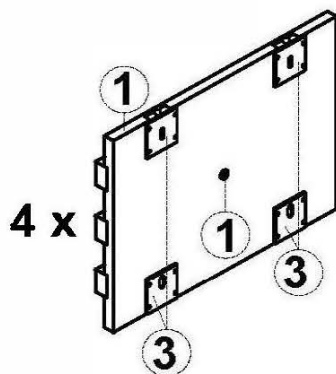
Attach the Leg Extensions (for counter height table) using the Long Bolt (D), Lock Washer (B) and Flat Washer (C).



TO REACTIVATE DOOR PIN, PRESS THE BUTTON WHEN IN THE BOTTOM POSITION



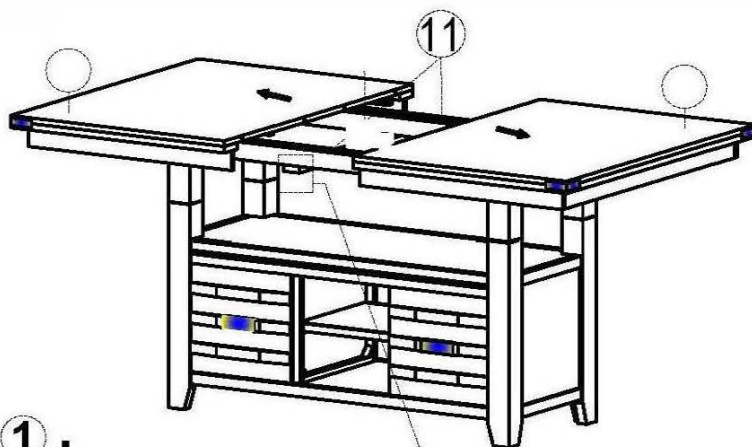
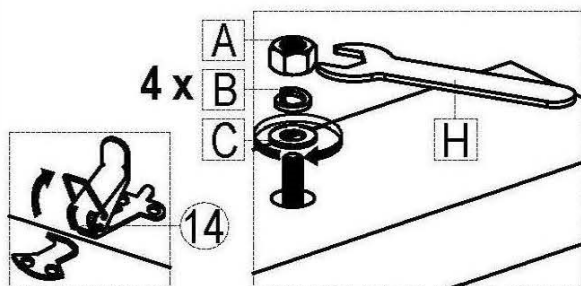
TO RELEASE DOOR PIN, MOVE THE BUTTON TO THE BOTTOM POSITION



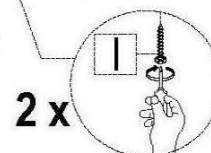
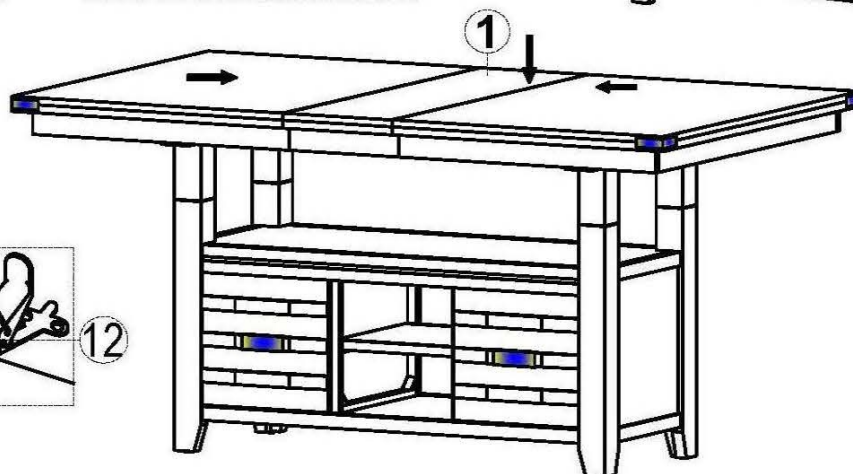
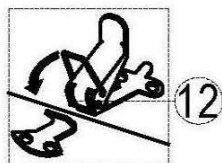
Step 5

Place the table top on top of the legs and attach with a Flat Washer (C), Lock Washer (B) and a nut (A).

Tighten with the wrench (H) provided.



FINISH





WARNING: To avoid serious personal injury:

- Carefully and strictly follow assembly instructions. Improper assembly of furniture can result in structural failure, instability of the product, or tip-over.
- Monitor and carefully control the assembly components. These include small parts and hardware that may present a choking hazard to small children. Bob's furniture should be assembled only by responsible adults and children should not be involved in the assembly process.
- Where provided, wall mounting hardware should always be used as prescribed in these instructions to anchor furniture to wall. Proper use of the wall mounting hardware can significantly reduce the potential for furniture tip-over and crushing injuries.