

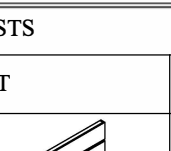

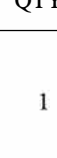
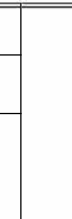
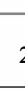




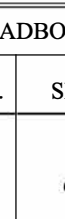


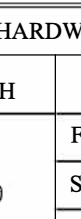


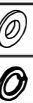



# Assembly Instruction

ELEMENTS  
ELEMENTS  
ELEMENTS  
ELEMENTS

KING PANEL HEADBOARD & FOOTBOARD  
QUEEN PANEL HEADBOARD & FOOTBOARD  
QUEEN/KING SIDE STORAGE DRAWERS  
QUEEN/KING SIDE RAILS

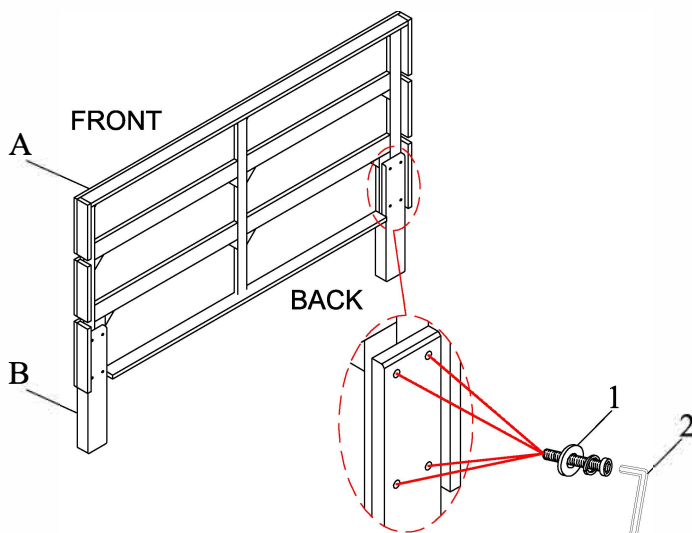
**Caution:** Please fully read instructions before unpacking assembly parts.

1. We recommend that you assemble this product with the assistance of another person to avoid injury and prevent damage to the product.
2. Be sure to check all packing materials carefully for small parts or hardware that may have come loose inside the carton during shipment.
3. Please put all parts on a non-abrasive surface before assembling. Follow the steps to assemble your newly purchased product correctly.

| PART LISTS |   |     | HEADBOARD HARDWARE LIST ( PACKED IN HB/FB CARTON ) |   |  |   |                                    |   |
|------------|---|-----|--|---|--|---|------------------------------------|---|
| CODE       | PART  | QTY | NO.  | SKETCH  | DESCRIPTION  | QTY   |                                    |   |
| A          | Headboard<br>  | 1   | 1  |  | Flat Washer Ø5/16" x 19mm x 2mm                        | 8   |                                    |   |
| B          | Headboard Leg (L&R)<br>(PACKED IN HB/FB CARTON)<br>                      | 2   |  |   | Spring Washer Ø5/16"                                   | 8   |                                    |   |
|            |   |     |  |   | Bolt 5/16" x 38mm                                      | 8   |                                    |   |
| C          | Footboard<br>  | 1   | 2  |  | Allen Wrench M4 x 2-1/4"                               | 1   |                                    |   |
| D          | Center Slat<br>(PACKED IN SIDERAIL CARTON)<br>                           | 1   |  |   | 3  |    | Bolt Ø1/4" x 70mm                  | 3 |
| E          | Support leg for Center Slat<br>(PACKED IN SIDERAIL CARTON)<br>           | 2   | Spring Washer Ø1/4"                                | 3   |  |   |                                    |   |
| F          | Support leg with bolt for Center Slat<br>(PACKED IN SIDERAIL CARTON)<br> | 2   | Flat Washer Ø1/4" x 16mm x 2mm                     | 3   |  |   |                                    |   |
| G          | Slat Roll<br>(PACKED IN HB/FB CARTON)<br>                                | 1   | 4  |  | Bolt Ø1/4" x 32mm                                      | 2   |                                    |   |
| H          | Support leg for Slat Roll<br>(PACKED IN SIDERAIL CARTON)<br>             | 2   |  |   | Spring Washer Ø1/4"                                    | 2   |                                    |   |
| I          | Complete Side Rail w/ Storage Drawer<br>                                | 2   |  |   | Flat Washer Ø1/4" x 16mm x 2mm                         | 2   |                                    |   |
|            |   |     | 5  |  | Wood Screw #8 x 30mm                                   | 14  |                                    |   |
|            |   |     |  |   | SIDE RAIL HARDWARE LIST ( PACKED IN SIDE RAIL CARTON ) |   |                                    |   |
|            |   |     |  |   | 6  |    | Bolt Ø5/16" x 70mm                 | 8 |
|            |   |     |  |   | 7  |    | Flat Washer Ø5/16" x 19mm x 2mm    | 8 |
|            |   |     |  |   | 8  |   | Spring Washer Ø5/16" x 12 x 2mm    | 8 |
|            |   |     |  |   | 9  |  | Hex Nut Ø5/16" x 12 x 6mm          | 8 |
|            |   |     |  |   | 10   |  | Open Wrench Ø5/16" (M12 x 90 x 25) | 1 |

## STEP 1

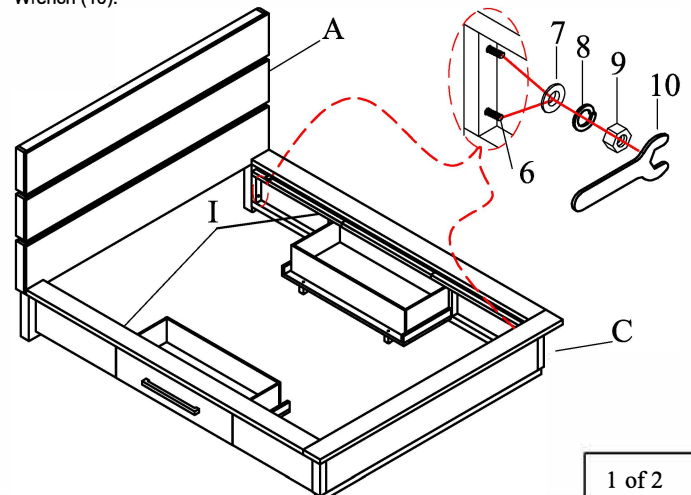
Attach the Headboard Legs (B) to the back of the Headboard (A) using the provided hardware (1). Tighten with Allen Key (2).



## STEP 2

Thread the Bolts (6) into the inserts located on the front of the Headboard Legs (A) and back of the Footboard (C).

Attach the Complete Side Rails w/ Storage Drawer (I) to the Headboard (A) and Footboard (C) using the provided hardware (7,8,9) as shown. Tighten with Wrench (10).



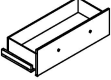

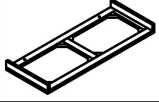
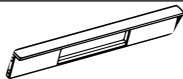


# Assembly Instruction

ELEMENTS  
ELEMENTS  
ELEMENTS

QUEEN/KING SIDE STORAGE DRAWERS  
QUEEN/KING SIDE RAILS  
CALIFORNIA KING SIDE RAILS

**Caution:** Please fully read instructions before unpacking assembly parts.

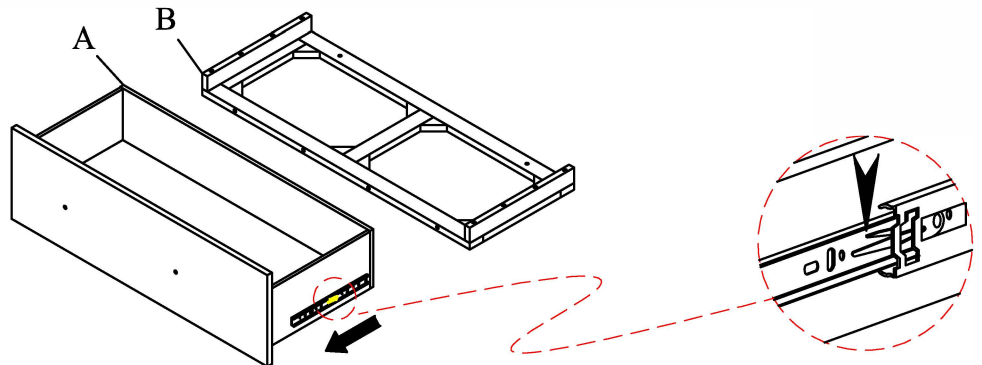
1. We recommend that you assemble this product with the assistance of another person to avoid injury and prevent damage to the product.
2. Be sure to check all packing materials carefully for small parts or hardware that may have come loose inside the carton during shipment.
3. Please put all parts on a non-abrasive surface before assembling. Follow the steps to assemble your newly purchased product correctly.

| PART LISTS |  |     | DRAWER FRAME HARDWARE LIST<br>(PACKED IN STORAGE DRAWERS CARTON) |   |                            |     |
|------------|--|-----|--|---|----------------------------|-----|
| CODE       | PART   | QTY | NO.  | SKETCH  | DESCRIPTION                | QTY |
| A          | Storage Drawers                 | 2   | 1  |  | Flat Washer Ø1/4"*16mm*2mm | 8   |
| B          | Drawer Frames                   | 2   |  |   | Spring Washer Ø1/4"        | 8   |
|            |  |     |  |   | Bolt Ø1/4"*64mm            | 8   |
| C          | Side Rails (L&R)                | 2   | 2  |  | Allen Wrench M4*2-1/4"     | 1   |
| D          | Support leg for Drawer Frames  | 4   |  |   |                            |     |

## STEP 1

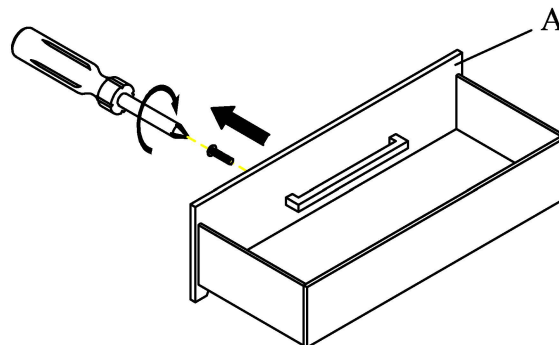
To remove the Storage Drawer (A) from the attached frame:

Pull the drawer out until the guides are fully extended. Find the exposed levers on each side of the drawer guides. Pull up on the left side lever and down on the right side lever. While holding both of these levers, pull out the drawer away from the frame.



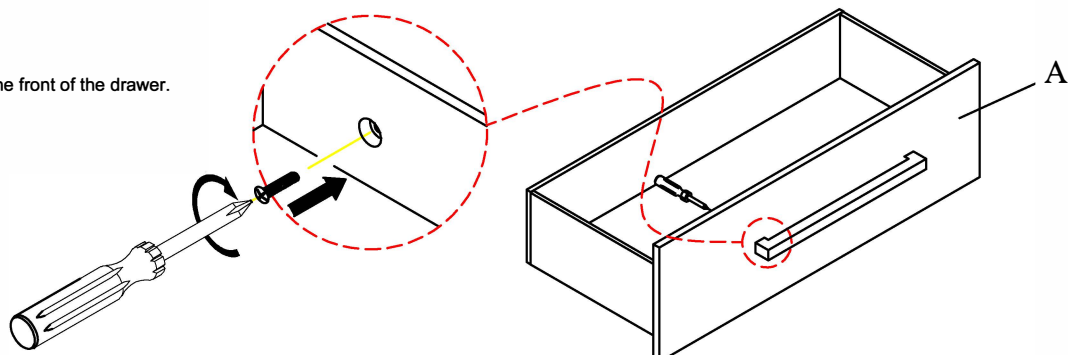
## STEP 2

Remove the handle from the inside of the drawer using a Phillips Screwdriver (not provided).



## STEP 3

Reattach the handle to the front of the drawer.



# Assembly Instruction

ELEMENTS  
ELEMENTS  
ELEMENTS

QUEEN/KING SIDE STORAGE DRAWERS  
QUEEN/KING SIDE RAILS  
CALIFORNIA KING SIDE RAILS

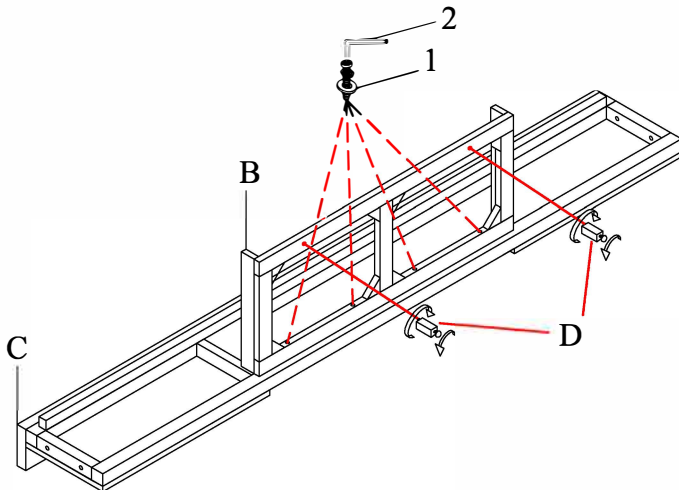
**Caution:** Please fully read instructions before unpacking assembly parts.

1. We recommend that you assemble this product with the assistance of another person to avoid injury and prevent damage to the product.
2. Be sure to check all packing materials carefully for small parts or hardware that may have come loose inside the carton during shipment.
3. Please put all parts on a non-abrasive surface before assembling. Follow the steps to assemble your newly purchased product correctly.

## STEP 4

Attach the Drawer Frame (A) to the Side Rail (B) using the provided hardware (1) as shown. Tighten with Allen Key (2).

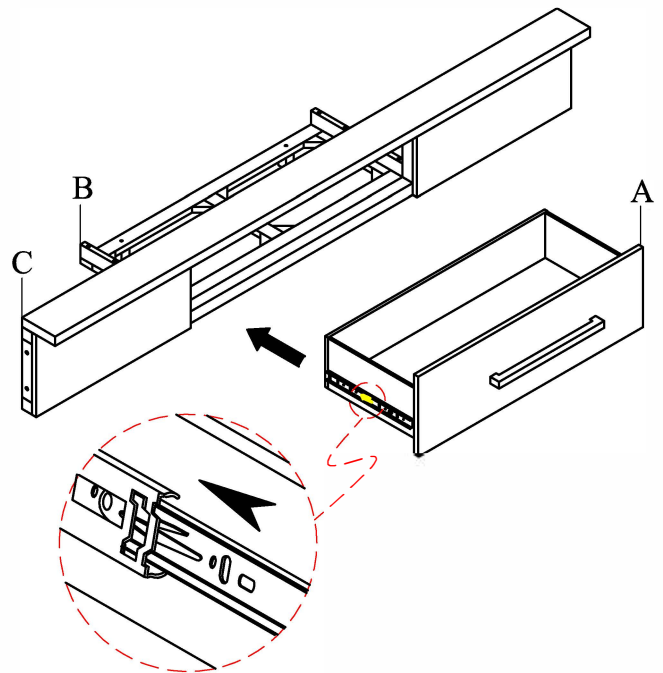
Attach the support legs (D) into the Drawer Frames.



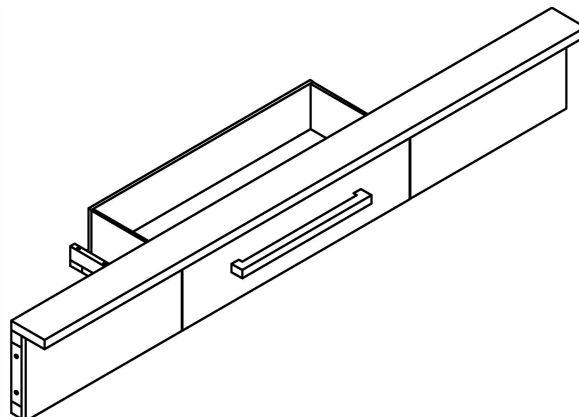
## STEP 5

To reattach the Storage Drawer (A) to the Drawer Frame (B) and Side Rail (C):

Retract the slides mounted to the Drawer Frame (B) before installing the drawer. Line up the slides on each side of the Storage Drawer (A) to the slides on the Drawer Frame (B) and push until it locks into place.



## COMPLETE



# Assembly Instruction

ELEMENTS  
ELEMENTS  
ELEMENTS  
ELEMENTS

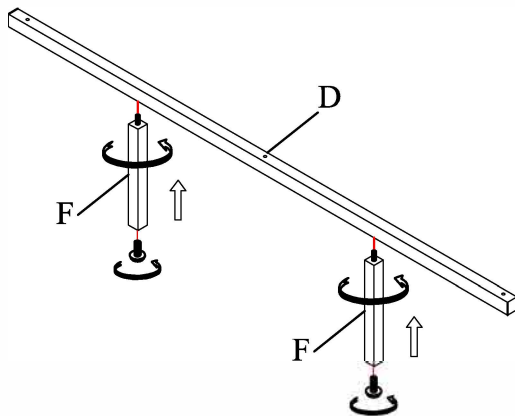
KING PANEL HEADBOARD & FOOTBOARD  
QUEEN PANEL HEADBOARD & FOOTBOARD  
QUEEN/KING SIDE STORAGE DRAWERS  
QUEEN/KING SIDE RAILS

**Caution:** Please fully read instructions before unpacking assembly parts.

1. We recommend that you assemble this product with the assistance of another person to avoid injury and prevent damage to the product.
2. Be sure to check all packing materials carefully for small parts or hardware that may have come loose inside the carton during shipment.
3. Please put all parts on a non-abrasive surface before assembling. Follow the steps to assemble your newly purchased product correctly.

## STEP 3

Attach the Support leg with bolt for Center Slat (F) to the Center Slat (D).

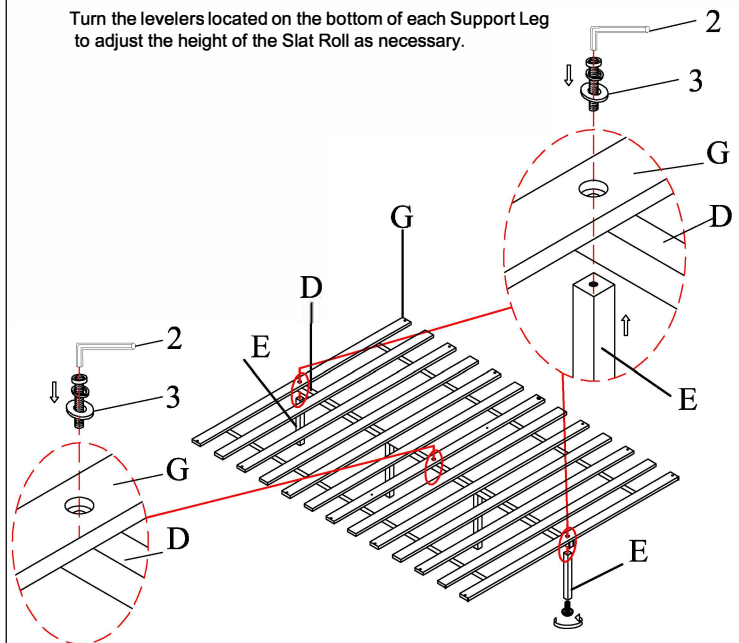


## STEP 4

Attach the Slat Roll (G) to the Center Slat (D) and Support Leg for Center Slat (E) using the provided hardware (3) as shown. Tighten with Allen Key (2).

Attach the Slat Roll (G) to the Center Slat (D) using the provided hardware (3) as shown. Tighten with Allen Key (2).

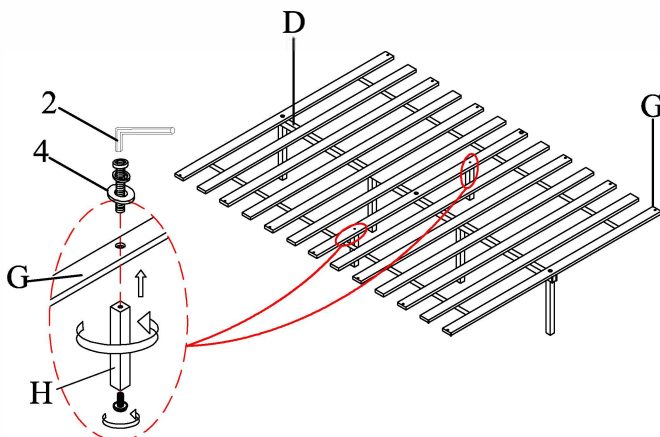
Turn the levelers located on the bottom of each Support Leg to adjust the height of the Slat Roll as necessary.



## STEP 5

Attach Support Leg for Slat Roll (H) to the Slat Roll (G) using the provided hardware (4) as shown. Tighten with Allen Key (2).

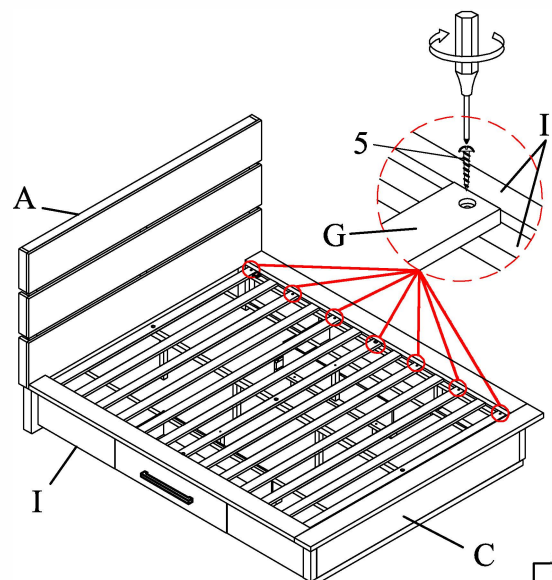
Turn the levelers located on the bottom of each Support Leg to adjust the height of the Slat Roll as necessary.




## COMPLETE

Place the Slat Roll (G) into position and line it up with the Side Rails (I).

Screw down the Slat Roll (G) using the provided Screws (5) and a Phillips Screwdriver (not provided). Repeat for opposite side.



 **WARNING: To avoid serious personal injury:**

- Carefully and strictly follow assembly instructions. Improper assembly of furniture can result in structural failure, instability of the product, or tip-over.
- Monitor and carefully control the assembly components. These include small parts and hardware that may present a choking hazard to small children. Bob's furniture should be assembled only by responsible adults and children should not be involved in the assembly process.
- Where provided, wall mounting hardware should always be used as prescribed in these instructions to anchor furniture to wall. Proper use of the wall mounting hardware can significantly reduce the potential for furniture tip-over and crushing injuries.